

# INSTALLATION GUIDE

## M-FA1003DUC

Installation kit for Ducato 250/290

Metal brackets, faceplate, and finishing cap for Macrom T1003DAB

### Modelli compatibili

---

- DUCATO 250-290 Vehicle
- T1003DAB Multimedia Car Radio



# MACROM

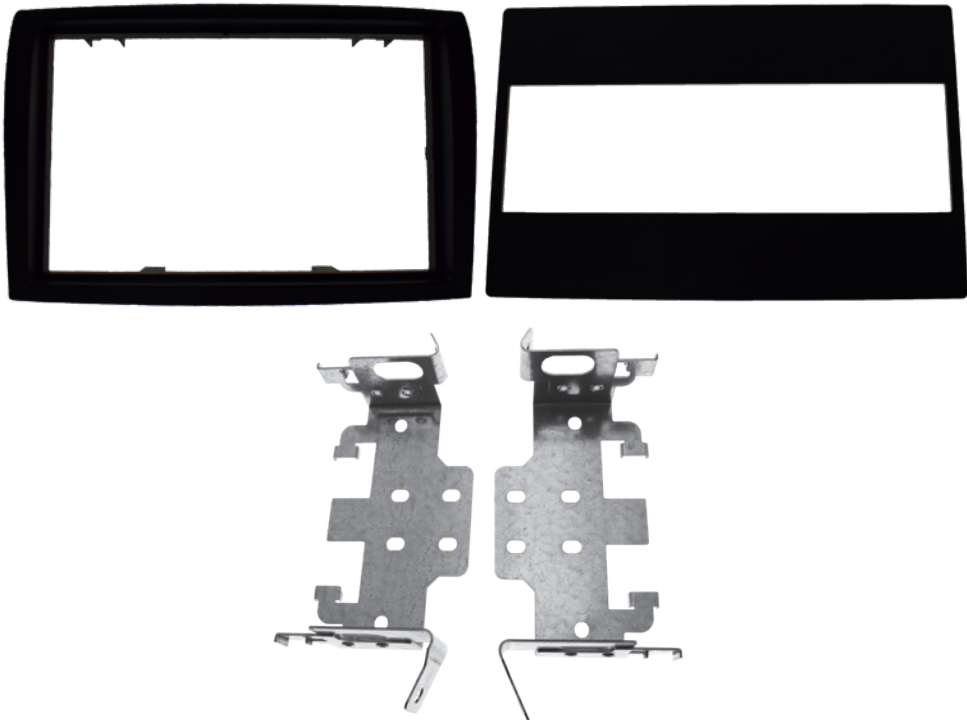
# Compatible models

---

Assembled mask



Mask components



## Removing the original radio

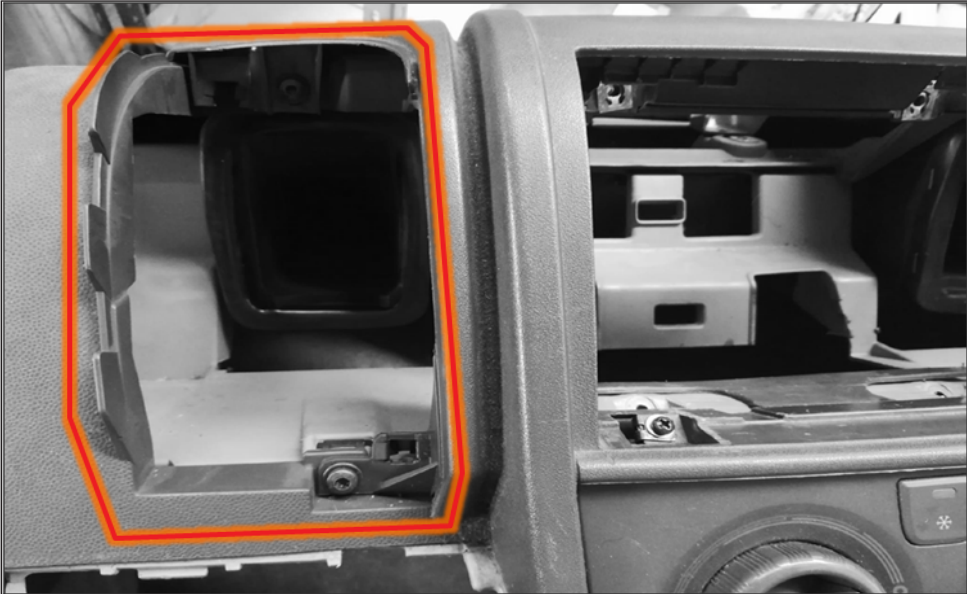
---

If the vehicle is equipped with a radio, remove the upper drawer and then the radio using suitable plastic tools.



# Preparing for installation

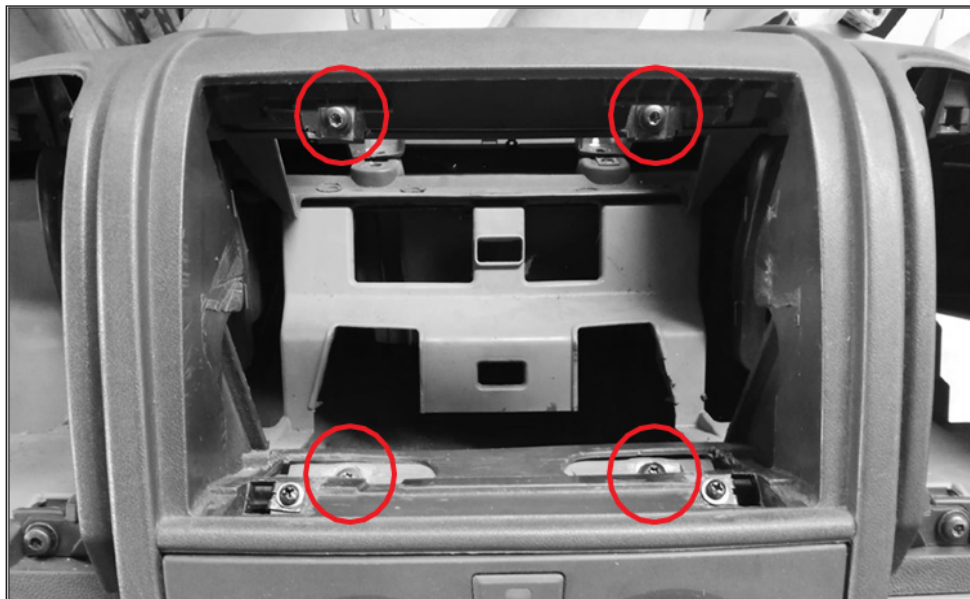
Remove the air vents using suitable plastic tools.



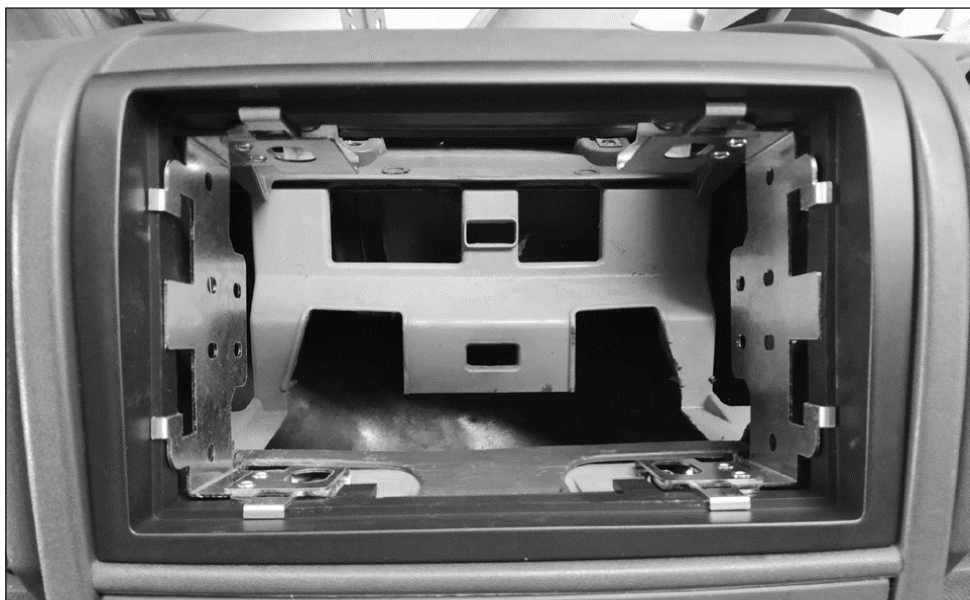
## Frame installation

---

Remove the 4 screws indicated circled in red.



Insert the frame into the dashboard compartment, then position the brackets making sure they adhere to the frame with the slots located above the fixing holes.



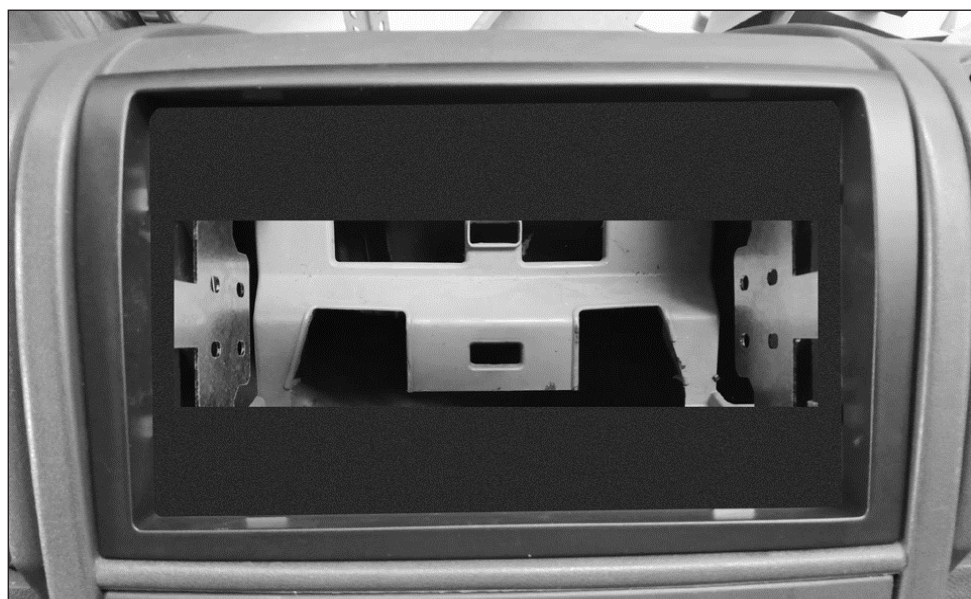
## Fixing bracket

---

Replace the 4 screws previously removed.



Before proceeding with fixing the radio, place the supplied cap inside the frame, make the connections and proceed with the final fixing.



## Temporarily disconnecting the monitor

Before inserting the radio unit into the frame and mounting brackets, disconnect the monitor by removing the plastic back-cover (figures 1 and 2)

**Note:** Do not insert the radio unit into the frame before removing the monitor.

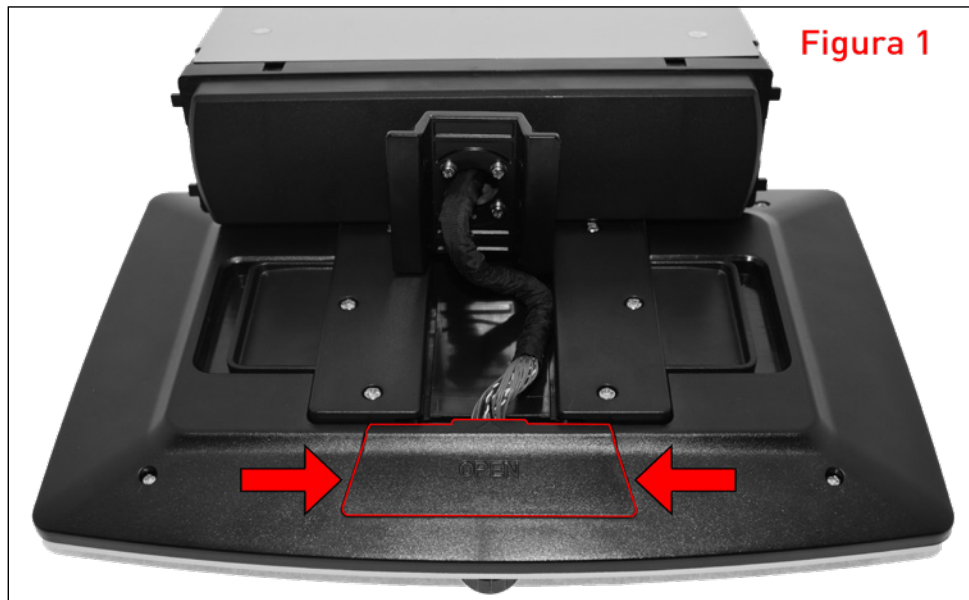


Figura 1

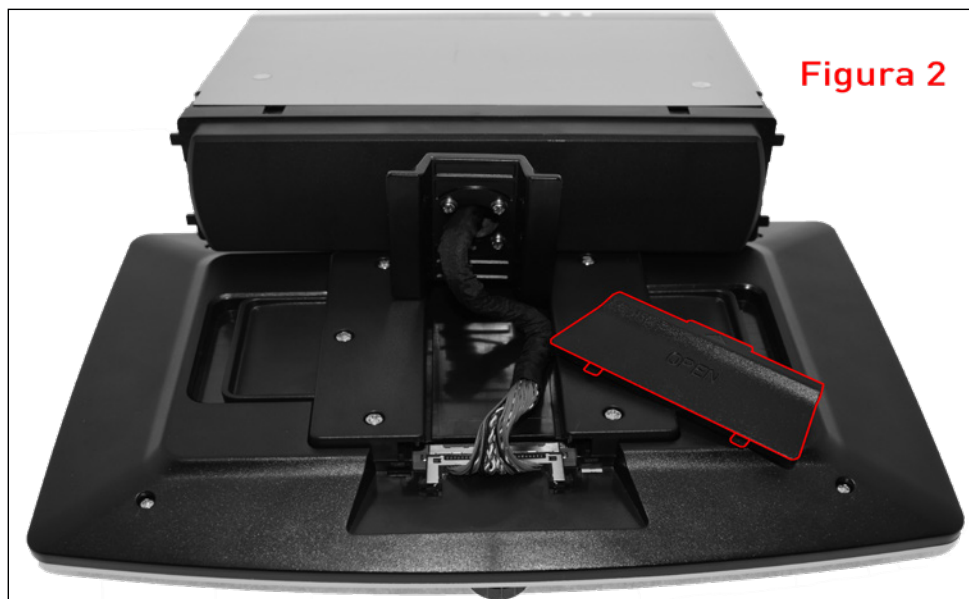
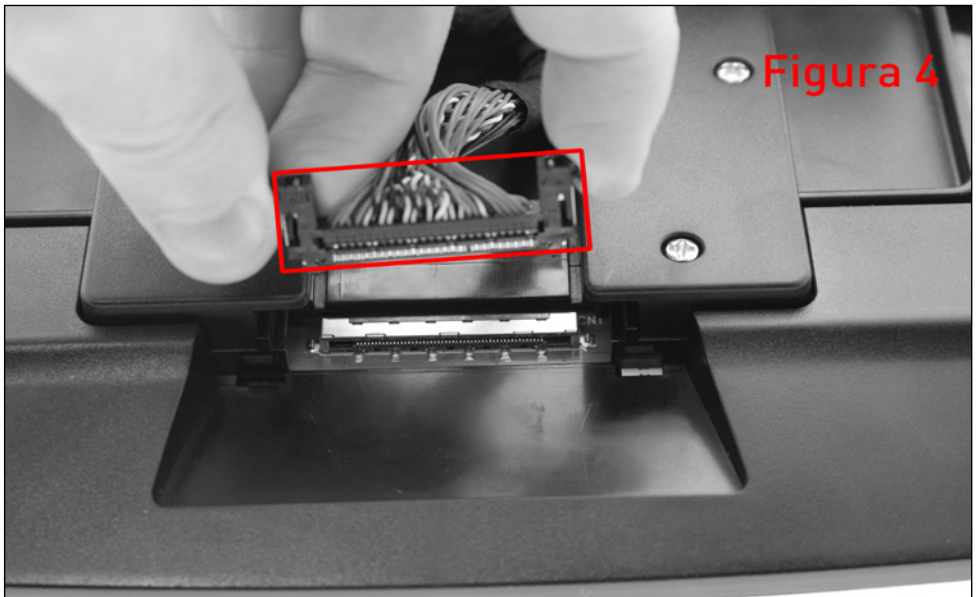
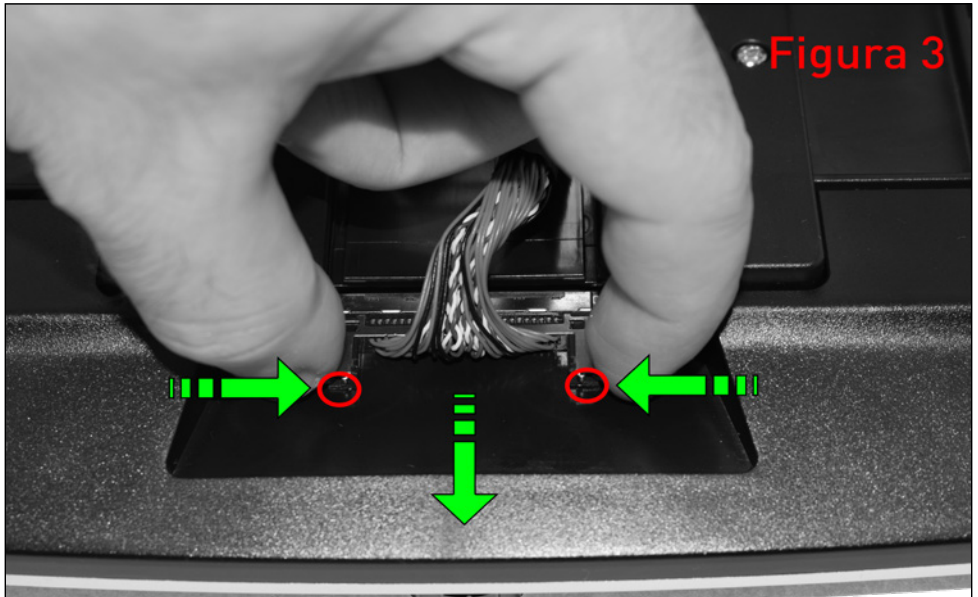


Figura 2

## Temporarily disconnecting the monitor

Next, while holding down the two side tabs, disconnect the flat connector that connects the monitor to the radio body (Figures 3 and 4).

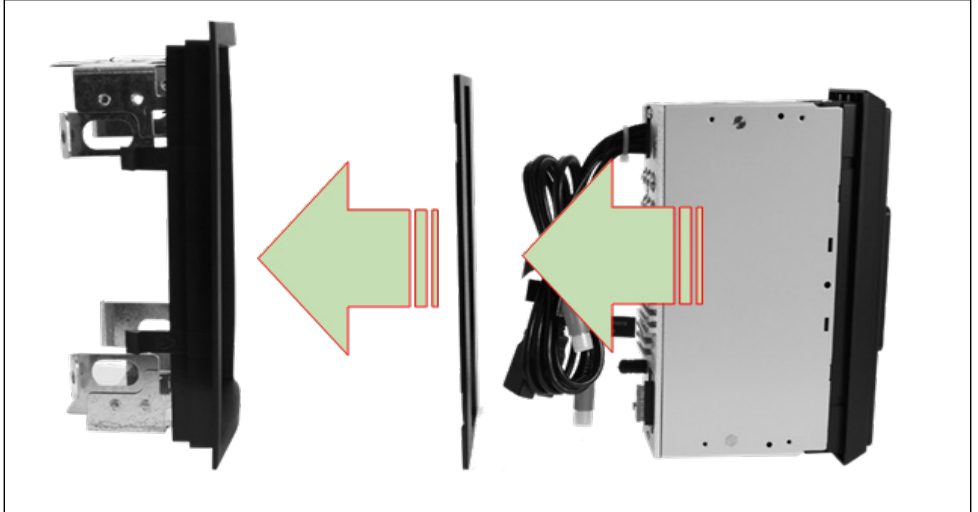




## Fixing the radio

Kit assembly steps:

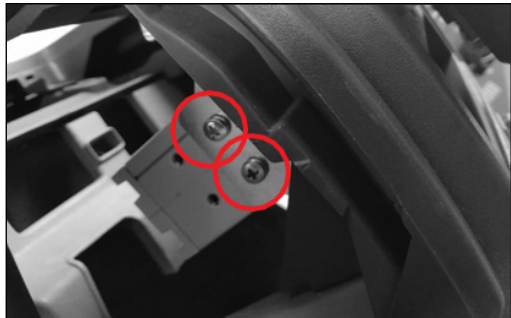
1. Position the frame and secure the brackets in the vehicle's radio compartment.
2. Place the cover inside the frame.
3. Remove the original radio panel.
4. Insert the radio into the cover and secure it with screws.



5. Reconnect the monitor with the utmost care

Ensure that all connections have been made properly. Perform a functional check of the product and then proceed with securing the car radio. Using the 4 screws provided (bolts + toothed washers), secure the radio body to the brackets. Insert the radio finishing frame and install the monitor.

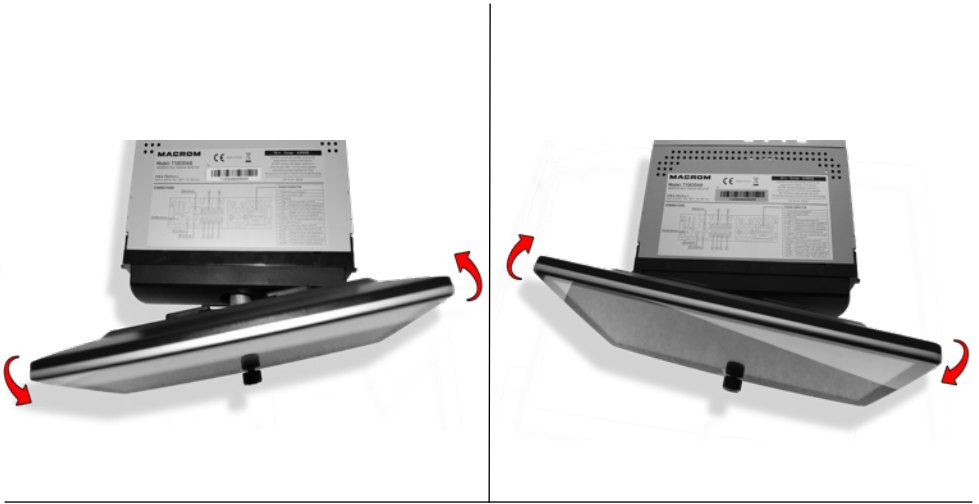
**IMPORTANT NOTE:** It is essential that the toothed washer is used when securing the radio.



## Monitor adjustment

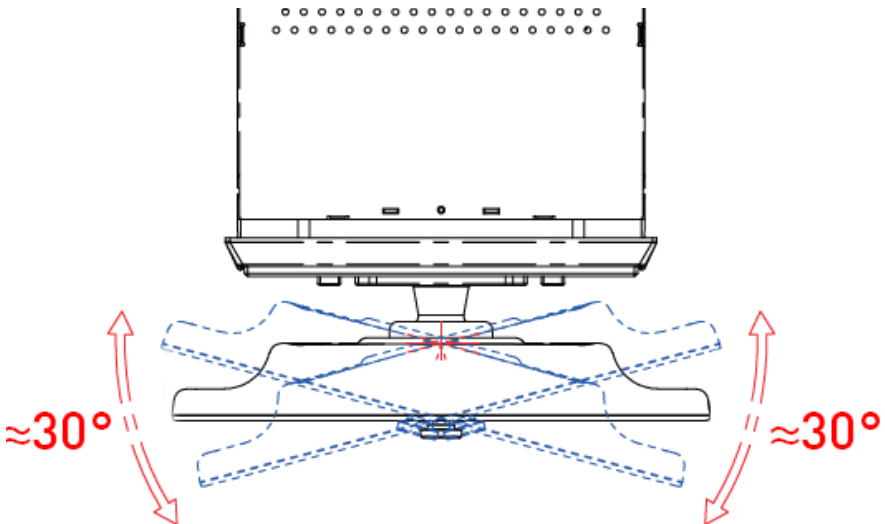
---

In addition to the features included in the product, you can also adjust the tilt and vertical position of the monitor to suit your needs:



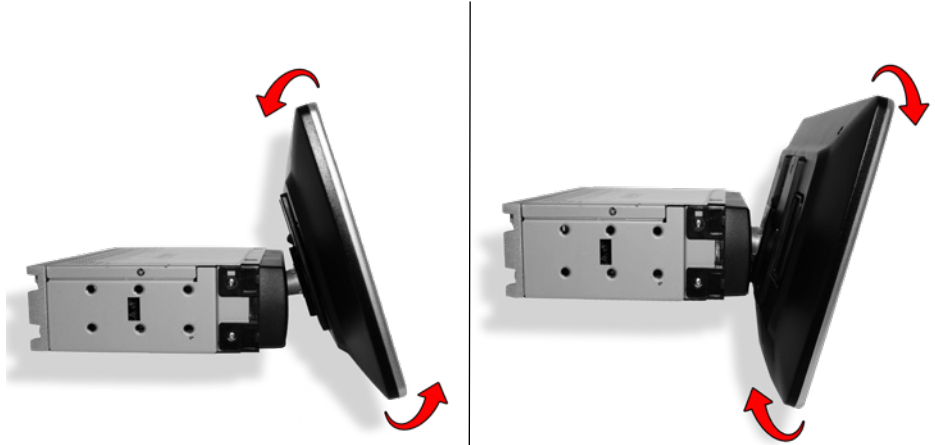
### Horizontal tilt

By firmly grasping the sides of the radio and applying slight pressure to the right or left side, you can tilt the monitor horizontally up to a maximum of 30°.



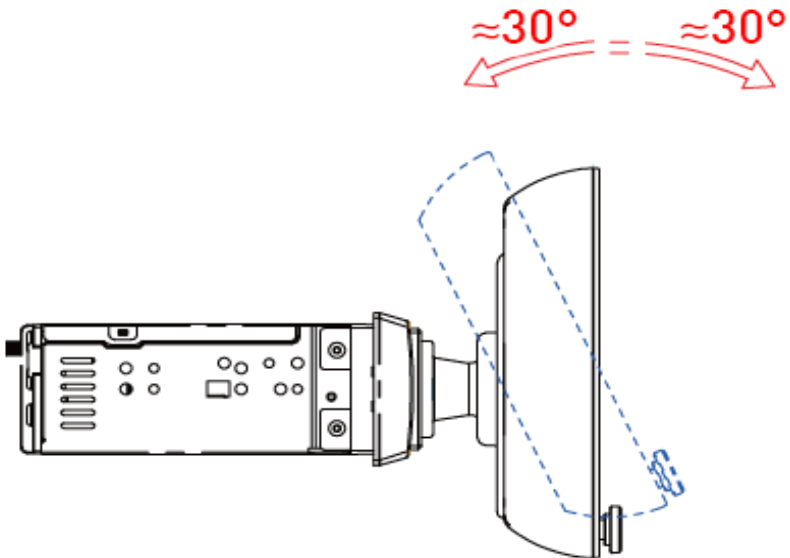
## Monitor adjustment

---



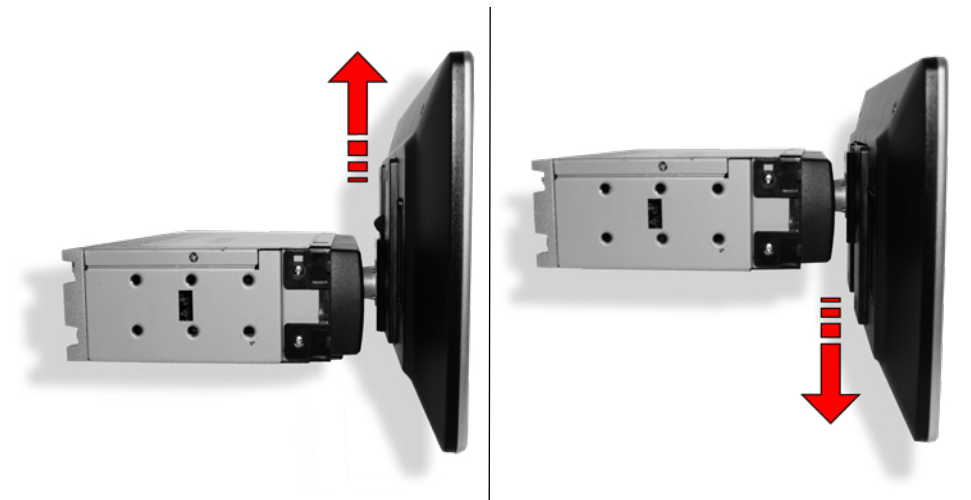
### Vertical tilt

By firmly grasping the sides of the radio and applying slight pressure to the top or bottom, you can tilt the monitor up to a maximum of 30°.



## Monitor adjustment

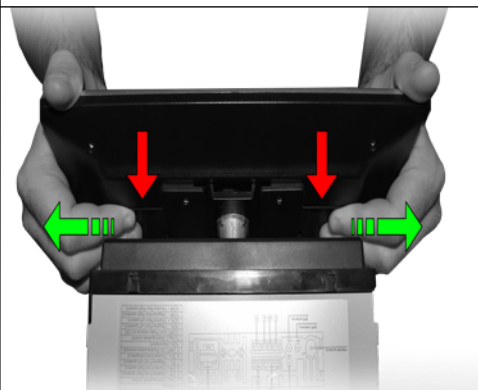
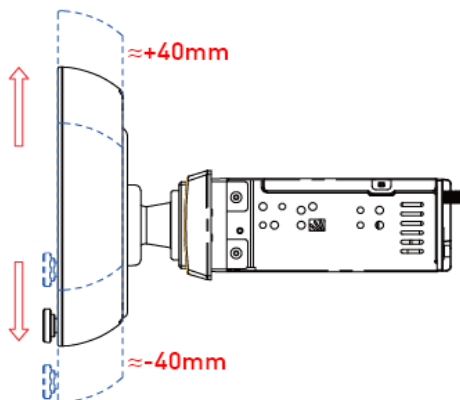
---



## Vertical adjustment

By firmly grasping the handles on the back of the monitor and pulling them outward, you can raise or lower the monitor up to a maximum of 40mm.

---



GMA ITALIA s.r.l.  
Via G. Di Vittorio, 7/33 - 20017 - Rho (MI) Italia  
Tel. +39 02 3340 6189  
[www.macrom.it](http://www.macrom.it)